


 → HIGH VOLUME **U48** [FRANKING SYSTEM]

U48



[U48 - INTELLIGENT HIGH PERFORMANCE MODULAR MAILING SYSTEM]



→ MIXED MAIL FEEDER



→ FULL COLOUR TOUCHSCREEN CONTROL



→ PROFESSIONAL IMAGE



→ ACCESS IN DEPTH INFORMATION ON POSTAL EXPENDITURE ACROSS YOUR BUSINESS

Dynamic businesses count on smart productivity tools to do more than simply move the mail. FMC U48 takes mail processing to a new level of intelligence and delivers productivity at its best.

With state-of-the-art technology and myneopost online services under your control, you'll have the best-in-class solution to meet your demanding mail room needs.

Easy to use the highly capable U48 with whisper quiet operation is fast and efficient. Improving productivity, providing cost control with added reliability the U48 will enhance business opportunities and objectives in organisations where mail handling must be optimised.

PRICING YOUR MAIL

- In-line weighing at 90 letters per minute automatically prices post by calculating size, thickness & weight up to 1kg.
- An accurate weighing platform reduces costly stamping errors and improves reliability of your mail deliveries.

MIXED MAIL FEEDER

- Eliminates the need for pre-sorting mail by size.
- Processes & seals up to 150 letters per minute.

FULL COLOUR TOUCHSCREEN CONTROL

- Intuitive and easy to use with no specialised training required.
- The fail safe rate wizard helps eliminate the wrong postage being selected so you never spend more on post than you need to.

ADVANCED REPORTING

- Access in depth information on postal expenditure across your business.
- Understanding trends as they emerge helps decisionmaking, ensuring you optimise budgets and access all Royal Mail discounts.

ROYAL MAIL ANNOUNCE MAILMARK™

Mailmark™ combines a new barcode with innovative optical technology and digital performance reporting. When you adopt Mailmark™, you'll know where your mail consignment is in the network, when it's scheduled to arrive and how well it performs – all at a click.

For further details or a discussion of your individual mailing requirements, contact Franking Machine Company today on Freephone 0800 955 2341.

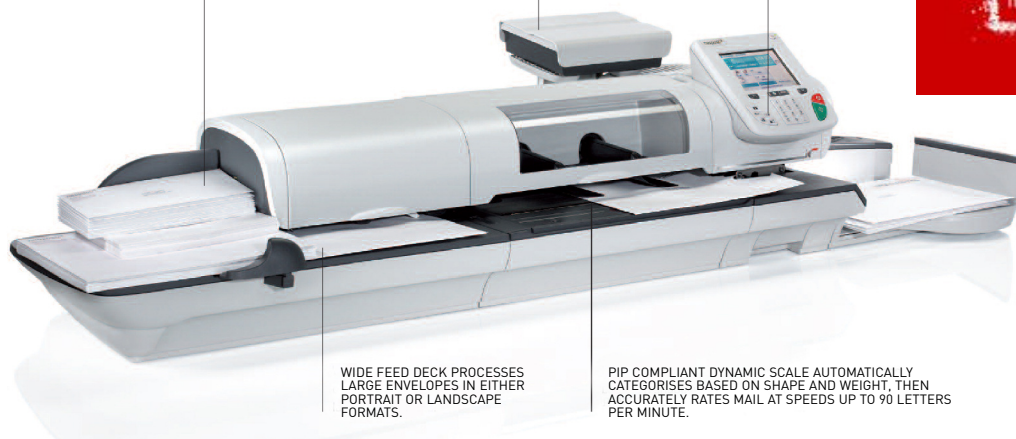


U48 IN DETAIL

AUTOMATIC MIXED-SIZE FEEDER ADJUSTS TO SORT MAIL BY SIZE AND THICKNESS. SELF-ALIGNING ROLLERS PREVENT JAMS OR MISPRINTS

DIFFERENTIAL WEIGHING TECHNOLOGY CALCULATES AND DELIVERS THE EXACT POSTAGE FOR EACH ITEM REMOVED FROM THE PLATFORM

FUNCTION SHORTCUT KEYS OFFER OPERATIONAL EFFICIENCY



WIDE FEED DECK PROCESSES LARGE ENVELOPES IN EITHER PORTRAIT OR LANDSCAPE FORMATS.

PIP COMPLIANT DYNAMIC SCALE AUTOMATICALLY CATEGORISES BASED ON SHAPE AND WEIGHT, THEN ACCURATELY RATES MAIL AT SPEEDS UP TO 90 LETTERS PER MINUTE.

U48 FEATURES

PERFORMANCE ASSURED

- Ergonomically-designed control panel and menu screen
- Menu selection is quick and easy
- Whisper-quiet operation
- Self-aligning mixed-size feeder allows reliable processing of mixed mail without manual adjustments
- Dynamic scale categorises and franks mixed mail at speeds up to 90 letters per minute
- Ink-replacement alerts delivered on the machine and by email

EFFICIENCY OPTIMISED

- Smart Start technology eliminates keystrokes and saves time. Each time a mail piece is removed from the weigh platform, the system is set in motion
- Shortcut keys deliver quick selection for operational efficiency
- Automatic setting of postal rate dies eliminates errors, ensures compliance and improves productivity
- Imprint memory feature offers direct access for fast recall
- Easy postal rate selection with failsafe RateWizard, quick shortcuts, or select from most recently used rates

U48 SPECIFICATIONS

OPERATIONAL EFFICIENCY

Speed (batch processing) per minute	150 letters
Inline weighing speed (dynamic scale)	90 letters per minute
Control panel colour touchscreen	
Envelope – minimum	89mm x 127mm
Envelope – maximum	254mm x 330mm
Maximum envelope thickness	16mm
Label dispenser	Automatic
Imprint memories	9

MAIL QUALITY AND SECURITY

Advertising slogans	8 standard/2 open
Mail-class	Automatically printed
Incoming mail date stamp	
Adjustable water flow for sealer	

SYSTEM DIMENSIONS

Length x Height x Depth	1219mm x 324mm x 442mm
With dynamic scale	1657mm x 324mm x 442mm

BUDGET OPTIMISATION

Account reporting and control	50 departments standard
-------------------------------	-------------------------

THE FRANKING MACHINE COMPANY

When you invest in any new mailing equipment for your company, you have several objectives in mind. You expect savings on running costs, allied to improvements in productivity, efficiency and professionalism. How do you achieve this?

With the aid of totally independent, expert advice. From a company who knows you and your individual needs, and can prescribe the optimum solutions from all the options the market offers. In other words, from **The Franking Machine Company Limited**.

As an ISO 9001 company, we pride ourselves on the quality of service we provide for all our clients, irrespective of their size. For a professional comprehensive, independent service covering the purchase, supply and maintenance of all mailing equipment, we are without rival in the UK.

For further details or a discussion of your individual MAILING requirements, call today on Freephone 0800 955 2341.



FRANKING MACHINE COMPANY LIMITED

130 ST. MARY'S ROAD LIVERPOOL L19 2JG T. 0800 955 2341 F. 0151 494 2221

E.INFO@FRANKING.COM WWW.FRANKING.CO.UK